

The Kia Sorento



Movement that inspires

Key Features



Special Edition - Standard equipment includes

Exterior features & lighting

- » 19" Alloys
- » Black Radiator Grille
- » Roof Rails
- » Satin Chrome Exterior Door Handles
- » Electrically folding, Adjustable & heated door mirrors with integrated LED indicator lights
- » Front & Rear Silver Skid Plate
- » Chrome Window Surround
- » Panoramic Sunroof with Tilting & Sliding Function
- » Rear Privacy Glass

Lighting

- » Dual LED Headlights with Low & High Projection
- » LED Daytime Running Lights
- » LED Rear Combination Lights
- » LED Position Lights
- » LED Front and Rear Fog Lights

Interior Lighting

- » Ambient Mood Lighting
- » Front Cabin LED Light with Sunglasses Holder
- » Luggage Area LED Light

Seating & steering

- » Two-tone Leather Upholstery
- » Heated Front Seats
- » All-round Height Adjustable Head Rests
- » 60:40 Split Remote Folding and Reclining 2nd Row Seats
- » 50:50 Split Flat-folding 3rd Row Seats
- » Passenger Walk-in Switch
- » ISOFIX Child Seat Top Tethers & Anchor Fixings Outer 2nd Row & 3rd Row
- » Heated Steering Wheel
- » Steering Wheel Mounted Controls
- » Ambient Mood Lighting
- » Front Cabin LED Light with Sunglasses Holder
- » Luggage Area LED Light

Multimedia & information

- » 10.25" Touchscreen Satellite Navigation
- » Telematics System with Kia Connect Services
- » Multi-device Bluetooth® Connection with Voice Recognition & Music Streaming
- » Apple CarPlay™ and Android Auto™ with Voice Control
- » Front USB Charge Port & 12V Socket
- » 3 x 2nd Row USB Charge Port & 12V Socket
- » 3rd Row USB Charge Port & 12V Socket
- » Wireless Mobile Phone Charger

Security

- » Advanced Anti-Theft Alarm System
- » Engine Immobiliser
- » Interior Door Lock/Unlock Function
- » Ecall

Driver Assistance

- » Intelligent Speed Limit Assist (ISLA)
- » Parking Distance Warning (Reverse and forward)
- » Reversing Camera System with Dynamic Guidelines (Integrated into Centre Fascia Screen)
- » Rain Sensors
- » Lane Follow Assist (LFA)
- » Highway Driving Assist (HDA)
- » High Beam Assist (HBA)
- » Auto-dimming Rear-view Mirror
- » Smart Cruise Control with Stop & Go Functionality
- » Drive Mode Select
- » Digital Supervision Cluster
- » Smart Power Tailgate with Adjustable Height
- » Blind-spot Collision Avoidance Assist (BCA) with Rear-Cross Traffic Assist (RCTA)
- » Lane Keep Assist (LKA)
- » Forward Collision Avoidance Assist (FCA) - City/Pedestrian/Cyclist/Junction

Active Safety System

- » Anti-Lock Braking System (ABS) with Electronic Brakeforce Distribution (EBS)
- » Electronic Stability Control (ESC) with Downhill Brake Control (DBC)
- » Hill-Start Assist Control (HAC)
- » Trailer Stability Assist (TSA)
- » Multi-Collision Brake (MCB)

Ventilation

- » 3 Step Dual Automatic Air Conditioning & Temperature Control
- » 2nd & 3rd Row Manual Air Conditioning
- » Automatic Defog System

Passive Safety

- » Twin Front Airbags
- » Front Passenger Airbag Cut-off Switch
- » Front Centre Airbag
- » Twin Curtain Airbags
- » Impact Sensing Auto Door Unlocking

Colours & Trims

Colours



Gravity Blue (B4U)



Steel Grey (KLG)



Mineral Blue (M4B)



Aurora Black Pearl (ABP)



Snow Pearl White (SWP)
*Diesel only

Wheels



Special Edition - 19" alloy wheels

Seat Trims



Special Edition
Two-tone Grey Leather Seats

Technical specifications

	'Plug-in Hybrid'	'Diesel'
Engine	1.6 T-GDi PHEV	2.2 CRDi
Drivetrain		
Cubic capacity	1,598	2,151
Max. power, bhp at rpm	261 / 5500	199 / 3800
Max. power, ps at rpm	265 / 5500	201 / 3800
Max. torque, Nm at rpm	265 / 1500-4500	440 / 1750-2750
6 speed Automatic	•	-
8 speed DCT	-	•
Suspension & Tyres		
Front suspension	McPherson	McPherson
Rear suspension	Multi-Link	Multi-Link
19" tyres	235/55R19	235/55R19
Fuel		
Fuel Type	Petrol	Diesel
Fuel tank capacity, litres	47	67
Selective Catalytic Reduction (SCR)	-	•
SCR tank capacity, litres	-	14
BATTERY PACK		
Battery	13.8kWh Li-ion polymer battery	-
Hybrid Type	TMED	-
Electric Range EV Mode (km)	57	-
Max Power (kW)	67	-
Capacity (Ah)	38.3	-
Nominal Voltage (V)	360	-
Battery Weight (kg)	140	-
Battery Position	Under Cabin Area	-
CHARGING		
3-pin AC Emergency Charger	AC single-phase charging up to 2.3kW	-
3-pin AC Emergency Charge Time (2.2kW)	5hrs 02mins (0% → 100%)	-
Type 2 AC Charger	AC single-phase charging up to 3.3kW	-
Type 2 AC Charge Time (3.3kW)	3hrs 25mins (0% → 100%)	-

Technical specifications

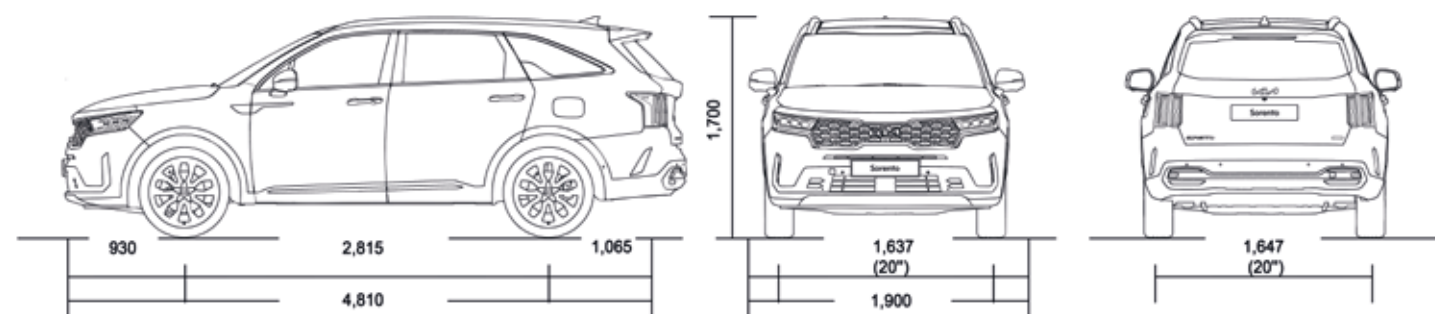
	'Plug-in Hybrid'	'Diesel'
--	------------------	----------

WLTP FUEL CONSUMPTION, EMISSIONS AND PERFORMANCE INFORMATION

Maximum speed (km/h)(EV Only)	193 (140)	205
Acceleration 0-100km/h (seconds)	8.7	9
Fuel Consumption - Low (l/100km)	8.3	7.5
Fuel Consumption - Medium (l/100km)	6.6	6.3
Fuel Consumption - High (l/100km)	8.7	5.4
Fuel Consumption - Extra High (l/100km)	7.6	6.6
Fuel Consumption - Combined (l/100km)	1.6	6.3
Regulated Emission Standard	Euro-6d	Euro-6d
Carbon Dioxide (CO2) Emissions (g/km)	38	165
Electric Energy Consumption (Wh/km)	-	-
Electric Energy Consumption (kWh/100km)	-	-
Electric Energy Consumption, Weighted (Wh/km)	184	-
Electric Energy Consumption, Weighted (kWh/100km)	18.4	-
Electric Range , EAER Weighted (km)	57	-
Electric Range City, EAER Weighted (km)	70	-

DIMENSIONS, WEIGHT & CAPACITY

Length (mm)	4810	
Width (mm)	1900	
Height (mm)	1695	
Wheelbase (mm)	2815	
Overhang front / rear (mm)	930 / 1,065	
Head room first row / second row / third row	1,024 / 994 / 935	
Shoulder room first row / second row / third row	1,500 / 1,475 / 1,345	
Leg room first row / second row / third row	1,052 / 1,060 / 752	
Gross vehicle weight limit (kg)	2,680	2,600
Kerb weight (kg)	2,099	1,954
Gross train weight (kg)	4,180	5,100
Maximum braked trailer weight (kg)	1,500	2,500
Maximum un-braked trailer weight (kg)	750	750
Maximum tow ball weight (kg)	100	100
Luggage compartment capacity, rear seats folded (5-seat position), litres	604	616
Luggage compartment capacity, all seats folded, litres	1,988	2,011



Created for complete peace of mind

7-YEAR VEHICLE WARRANTY

Every Kia benefits from a 7-year/ 150,000 km new car warranty (up to 3 years unlimited; from 4 years 150,000 km). This bumper-to-bumper warranty is free and transferable to subsequent owners, provided the car is regularly maintained in accordance with the servicing schedule.

7-YEAR BATTERY WARRANTY

When you switch to a Kia Electric (EV), Hybrid Electric (HEV) or Plug-in Hybrid (PHEV), it's good to know that our batteries are built to have a long life*. That's why at Kia we are happy to offer you a 7-year warranty either from initial registration or 150,000 km whichever comes first. Even for our low voltage (48 V and 12 V) batteries in Kia Mild-Hybrid electric vehicles (MHEVs), our warranty covers you for a period of 2 years from initial registration regardless of mileage. All of which means you can simply enjoy the experience of driving our eco-friendly range, every day for years to come.

* Kia high voltage lithium-ion battery units are built to have a long life. For EVs and PHEVs only, Kia guarantees a 70% capacity of the battery. Capacity reduction of the battery in HEV and MHEV is not covered by the warranty. To minimise possible capacity reduction, consult the Owner's Manual. Find more information about Kia warranty at Kia.com.

KIA SERVICE PLAN

Our Kia Service Plan means looking after your new Kia is a piece of cake. To keep your new Kia running like new, it must be serviced every year. Now imagine having all the servicing that your new Kia will need for the next two to five years sorted and paid for, in advance or monthly, and at a competitive price. Introducing Kia Service Plan, the easy way to look after your new Kia, and protect your 7-year warranty.

KIACREDIT.IE

Kia Ireland has teamed up with Bank of Ireland Finance to offer Kia customers affordable HP and PCP finance packages across the entire Kia range. Your local Kia Dealer will explain in detail the options available. For indicative costs, log on to our finance calculator at kiacredit.ie.



*The Kia 7-year warranty

Max. 150,000 km vehicle warranty. Valid in all EU member states (plus Norway, Switzerland, Iceland and Gibraltar). Deviations according to the valid guarantee conditions, e.g. for paint and equipment, subject to local terms and conditions.

Every care has been taken to ensure the information published in this brochure is correct at time of going to press. Kia Ireland may change their product offering at any time. Pictures shown are for illustrative purposes and may feature equipment not on sale in Ireland. Detailed Irish specifications can be found on our website. Please check with your dealer that your chosen model has your required specification.

All information and specifications are correct at the time of printing and are subject to change without notification. However some of the models and features shown in this brochure may vary from the models and equipment available here in Ireland. Please consult with your dealer to ensure that the vehicle you order has the specification you require. Due to the limits of the printing process, the car body colours shown may differ slightly from actual colours.

Kia Ireland,
Unit A8 Calmount Park,
Calmount Road,
Dublin 12,
Ireland



Movement that inspires